



continu.us

ANTENNAS

OMNI-DIRECTIONAL DIGITAL ANTENNA



CA-1000WIFI

**INSTALLATION INSTRUCTION GUIDE
FOR NEW INSTALL OR UPGRADE KIT**

NOTICE

Improper installation may cause personal injury and/or property damage. Make sure you understand these instructions before you install this mounting hardware.

It is the responsibility of the installer to ensure that this mount is installed safely.

FEATURES



WiFi RANGE UP TO A HALF MILE

LONG RANGE RECEIVING CAPABILITY FOR CONNECTING AND EXTENDING AN EXISTING WiFi NETWORK. TRANSMITTING HIGH SPEED WiFi SIGNALS ALL AROUND YOUR CAMPING AREA.



LONG RANGE

HIGH PERFORMANCE OMNI-DIRECTIONAL ANTENNA MADE FOR THE ROAD, IT FINDS SIGNAL UP TO 40 MILES AWAY.



WEATHER PROOF

-25° TO 145° OPERATING TEMP. DESIGNED FOR TRAVEL IN ALL CONDITIONS.



OMNI-DIRECTIONAL

THE CA-1000WiFi IS A DIGITAL HD ANTENNA THAT RECEIVES SIGNALS FROM ALL DIRECTIONS.



POWERED OUTPUTS

FEATURES 2 (TWO) TV OUTPUTS. THE CA-1000WiFi WALL PLATE IS POWERED TO BOOST SIGNAL STRENGTH TO EACH TV.

SPECIFICATIONS

Frequency Range	VIDEO: 54 - 698 MHz FM: 87- 108 MHz
Gain	20 dB
Impedance	75 Ω
Power Supply	DC 12V 150mA

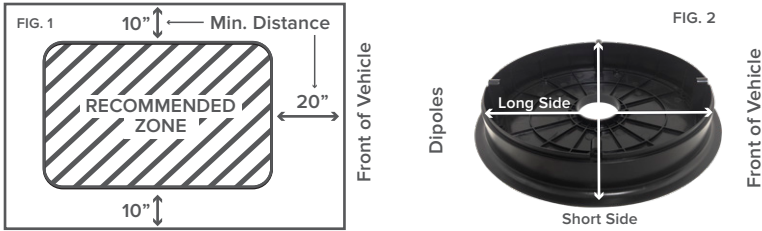
PARTS LIST

Check that all listed parts were included with your mount before you begin installation.

DESCRIPTION	QTY.
Antenna Head	1
Instruction Manual	1
Base Mount (Pre-Installed in Upgrade Kit)	1
Wall Plate	1
Dipole Antenna	4
M4*25 - Screw for Wall Plate	2
#8, 1/2" Screw	4
Reset Switch	1

NEW INSTALLATION INSTRUCTIONS

- 1) Choose a location for the antenna. The antenna should be placed away from any other metal objects which might interfere with reception. (FIG. 1)



Note: The direction of the base mount determines the direction of the antenna. The base of the mount is an oval, which will help you determine the direction with its long and short sides (FIG 2). The long sides will run from the front of the vehicle to the back. With the Dipole's directed towards the back.

NEW MOUNTING INSTRUCTIONS

Before installing CA-1000WIFI, it is recommended that you check with your vehicle manufacturer for any special screw or installation requirements. Follow the assembly diagram below (FIG 3.) to install your CA-1000WIFI.



ATTACHING THE ANTENNA HEAD

After the base has been secured to the roof of the vehicle, follow these instructions.

- 1) Attach the four dipole antenna's included with the CA-1000WIFI
- 2) Align the antenna head with the base mount. Dipole antenna's need to face the back of the vehicle.
- 3) Insure that cables are long enough to reach their destination points inside the vehicle.
- 4) Use the provided #8, 1/2" screws to secure the Antenna head to the base.
- 5) Apply sealant around the base mount to seal edges.

UPGRADE KIT INSTALLATION INSTRUCTIONS

- 1) With the CA-1000WIFI upgrade kit, the baseplate will come pre-installed on the RV.

Note: The CA-1000WIFI uses the same baseplate as the CA-1000 antenna that is installed by the factory. If your RV does not have a CA-1000 antenna, please refer to the instructions on page 2 for installing a new CA-1000WIFI antenna baseplate.

UPGRADE KIT MOUNTING INSTRUCTIONS

Before installing CA-1000WIFI, it is recommended that you check with your vehicle manufacturer for any special screw or installation requirements. Follow the assembly diagram below (FIG 4.) to install your CA-1000WIFI.



UPGRADING TO THE CA-1000WIFI

With the CA-1000 baseplate already installed. You will begin by removing the old antenna.

- 1) Detach the screws in the CA-1000 antenna, and disconnect all attached cables.
- 2) Take the CA-1000WIFI antenna head, and align it with the original baseplate.

Note: Dipole antenna's need to face the back of the vehicle.
- 3) The CA-1000WIFI includes an additional CAT5 ethernet cable, and a 20 AWG Wi-Fi reset cable. Insure that all cables are long enough to reach their destination points inside the vehicle.
 - a) The optional ethernet connection will connect directly into the CWP-2000B wall plate, for wired connections.
- 4) The CA-1000WIFI Reset switch has two installation options.
 - a) **Option 1: (Recommended)** Run the 20 AWG wire from the CA-1000WIFI to the CWP-2000B Wall Plate inside the RV.
 - b) **Option 2:** The CA-1000WIFI-RS reset switch is an independent switch that can be installed inside the RV, or placed in the opening between the CA-1000WIFI antenna head and the baseplate.
- 5) Use the provided #8, 1/2" screws to secure the Antenna head to the base.
- 6) Re-apply sealant around the base mount if necessary.

WIRING CA-1000WIFI

Connect the appropriate cables and wires, and tape all the coax connections. The CA-1000WIFI has 3 wires you will need to connect to the CWP-2000B Wall Plate. (FIG 5.)

- 1) **Coaxial Cable:** This cable sends TV signal to your TVs inside the RV.
- 2) **Reset Switch Cable:** Black & Red 20 AWG cable that needs to be tied to the reset switch. Pressing the reset switch restores default settings on antenna.
- 3) **Ethernet Cable:** (Optional) plugs directly into the wall plate to deliver a wired internet connection. *WiFi Range extender capabilities will still work without connecting this cable.*

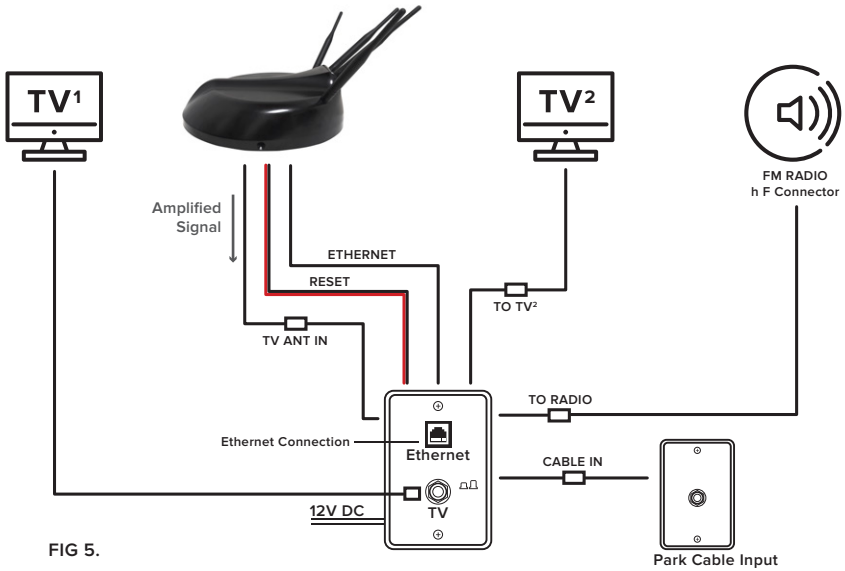


FIG 5.

CUSTOMER SERVICE

Please contact our Customer Support line at **(855)423-2181** if you notice any missing or damaged pieces.

Please visit us Online at www.continu.us to learn more about Continu.us products.